

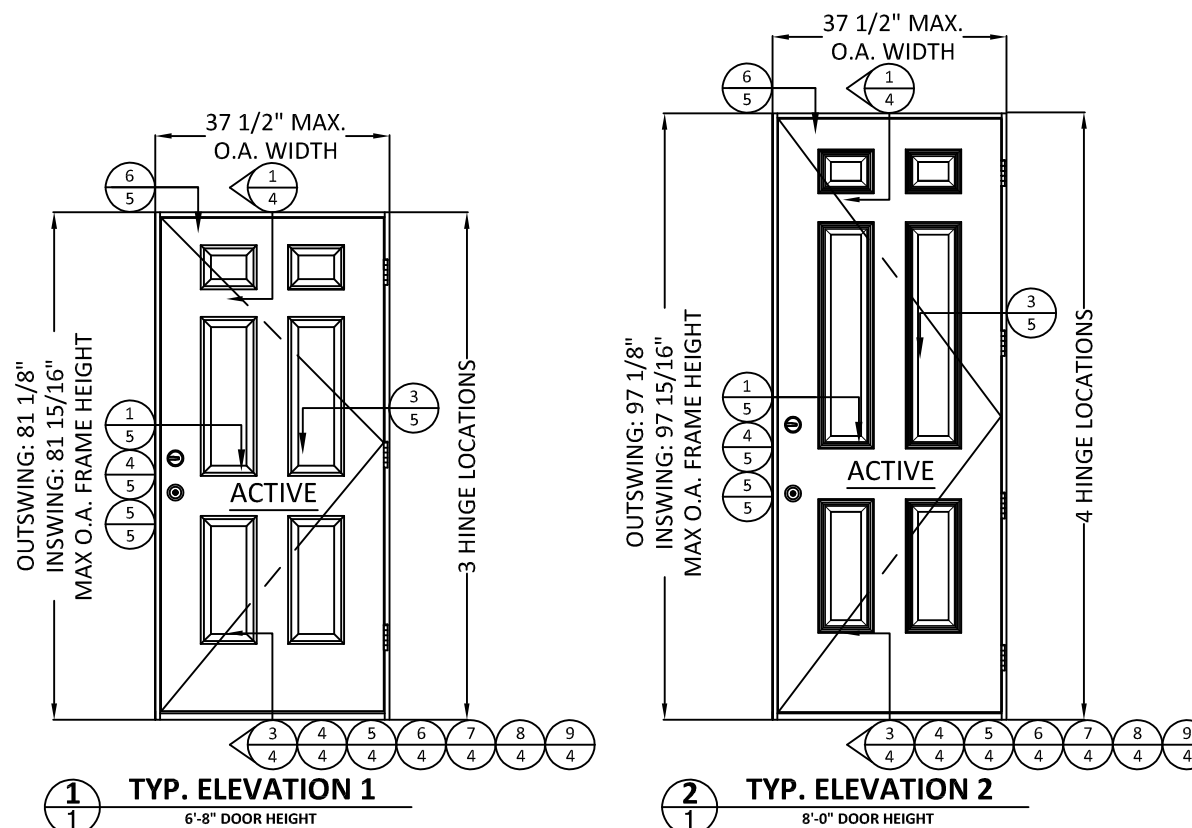
JELD WEN® WINDOWS & DOORS

DESIGN PRO / SMOOTH PRO IMPACT APPROVED

FOR USE IN THE HIGH VELOCITY HURRICANE ZONE (HVHZ)

GENERAL NOTES:

- THE PRODUCT SHOWN HEREIN IS DESIGNED AND MANUFACTURED TO COMPLY WITH THE CURRENT FLORIDA BUILDING CODE (FBC), INCLUDING HVHZ AND HAS BEEN EVALUATED ACCORDING TO THE FOLLOWING:
 - TAS 201-94
 - TAS 202-94
 - TAS 203-94
- ADEQUACY OF THE EXISTING STRUCTURAL CONCRETE/MASONRY OR 2X FRAMING AS A MAIN WIND FORCE RESISTING SYSTEM CAPABLE OF WITHSTANDING AND TRANSFERRING APPLIED PRODUCT LOADS TO THE FOUNDATION IS THE RESPONSIBILITY OF THE ENGINEER OR ARCHITECT OF RECORD FOR THE PROJECT OF INSTALLATION.
- THE INSTALLATION DETAILS DESCRIBED HEREIN ARE GENERIC AND MAY NOT REFLECT ACTUAL CONDITIONS FOR A SPECIFIC SITE. IF SITE CONDITIONS CAUSE INSTALLATION TO DEVIATE FROM THE REQUIREMENTS DETAILED HEREIN, A LICENSED ENGINEER OR ARCHITECT SHALL PREPARE SITE SPECIFIC DOCUMENTS FOR USE WITH THIS DOCUMENT.
- APPROVED IMPACT PROTECTIVE SYSTEM **IS NOT REQUIRED** ON THIS PRODUCT IN AREAS REQUIRING IMPACT RESISTANCE.
- 6-PANEL DOOR SHOWN FOR ILLUSTRATION PURPOSES. ADDITIONAL PANEL CONFIGURATIONS AND FLUSH DOORS ARE QUALIFIED.
- NOTE: AFCO H-497 SILL MEETS WATER INFILTRATION AT WATER TEST PRESSURE (WTP) OF 9.75 PSF. REMAINING SILLS NOT RATED FOR WATER INFILTRATION. IF AUTHORITY HAVING JURISDICTION REQUIRES THAT PRODUCT MEETS THIS REQUIREMENT, PRODUCT SHALL BE USED WHEN INSTALLED AT LOCATION PROTECTED BY OVERHANG SUCH THAT OVERHANG (OH) RATIO = OH LENGTH ÷ OH HEIGHT IS ≥ 1.0



NOTE:
DOORS SHOWN ABOVE MAY BE LEFT
OR RIGHT HAND OPERATING DOORS.

TABLE OF CONTENTS

SHEET	REVISION	SHEET DESCRIPTION
1	A	TYPICAL ELEVATIONS, DESIGN PRESSURES, AND GENERAL NOTES
2	A	TYPICAL ANCHOR LAYOUTS AND NOTES
3	-	OPTIONAL 2X BUCK ANCHORING DETAILS
4	A	VERTICAL ASSEMBLIES
5	A	HORIZONTAL ASSEMBLIES
6	A	WOOD SUBSTRATES
7	A	CONCRETE SUBSTRATES
8	A	COMPONENTS & BILL OF MATERIALS

CONFIGURATION	MAX. OVERALL NOMINAL SIZE		DESIGN PRESSURE (PSF)				MISSILE IMPACT RATING
	WIDTH	HEIGHT	INSWING		OUTSWING		
			POS.	NEG.	POS.	NEG.	
X	3'-0"	6'-8"	65*	65	65*	65	LMI & SMI
X	3'-0"	8'-0"	50*	50	50*	50	LMI & SMI

*SEE GENERAL NOTE 6, SHEET 1, FOR WATER INFILTRATION APPROVED SILLS.

PREPARED BY:



BUILDING DROPS, INC.
398 E. DANIA BEACH BLVD., STE. 338
DANIA BEACH, FL 33004
PH: (954)399-8478
FAX: (954)744.4738
WEB: www.buildingdrops.com

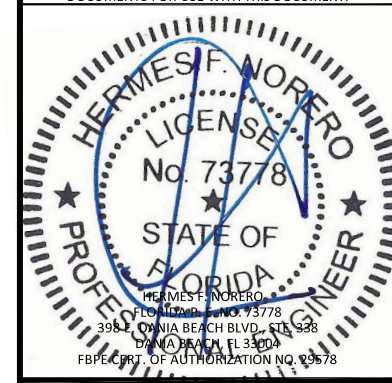
TITLE:
DESIGN PRO/SMOOTH PRO
IMPACT APPROVED
TYPICAL ELEVATIONS, DESIGN
PRESSURES, AND GENERAL NOTES

3737 LAKEPORT BLVD.,
KLAMATH FALLS, OR 97601
PH: (541)882-3451
FAX: (541)850-2609

JELD WEN®
WINDOWS & DOORS

REMARKS	BY	DATE
Add ADA sill, Multi-Point Lock	GL	06/23/14
Reference DWG. #A010871A	AM	09/16/19

THE INSTALLATION DETAILS DESCRIBED HEREIN ARE GENERIC AND MAY NOT REFLECT ACTUAL CONDITIONS FOR A SPECIFIC SITE. IF SITE CONDITIONS CAUSE INSTALLATION TO DEVIATE FROM THE REQUIREMENTS DETAILED HEREIN, A LICENSED ENGINEER OR ARCHITECT SHALL PREPARE SITE SPECIFIC DOCUMENTS FOR USE WITH THIS DOCUMENT.



DATE: 02.05.14

DWG. BY: GL/TJM | CHK. BY: SS/MSS

SCALE: NTS

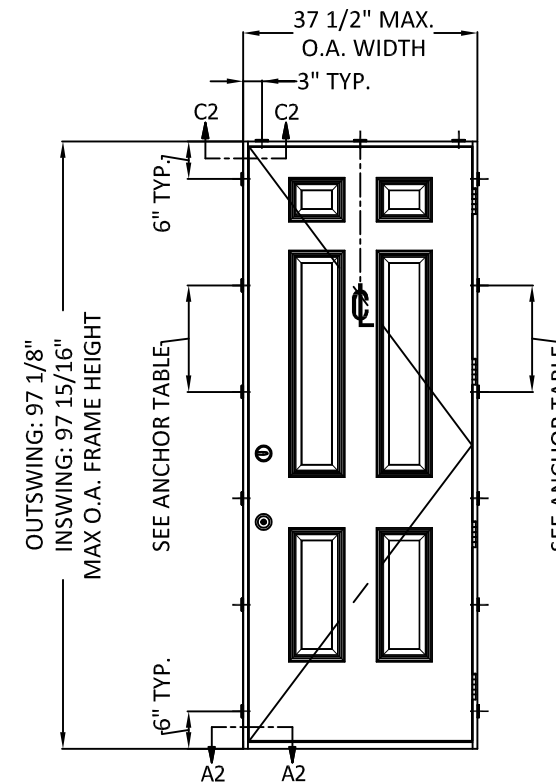
DWG. #: D015726

SHEET: OF 8

1

INSTALLATION NOTES:

- ONE (1) INSTALLATION ANCHOR IS REQUIRED AT EACH ANCHOR LOCATION SHOWN.
- SHIM AS REQUIRED AT EACH INSTALLATION ANCHOR WITH LOAD BEARING SHIM(S). MAXIMUM ALLOWABLE SHIM STACK TO BE 1/4 INCH. SHIM WHERE SPACE OF 1/16 INCH OR GREATER OCCURS. SHIM(S) SHALL BE CONSTRUCTED OF HIGH DENSITY PLASTIC OR BETTER.
- MINIMUM EMBEDMENT AND EDGE DISTANCE EXCLUDE WALL FINISHES, INCLUDING BUT NOT LIMITED TO STUCCO, FOAM, BRICK VENEER, AND SIDING.
- INSTALLATION ANCHORS AND ASSOCIATED HARDWARE MUST BE MADE OF CORROSION RESISTANT MATERIAL OR HAVE A CORROSION RESISTANT COATING, AND SHALL BE INSTALLED IN ACCORDANCE WITH ANCHOR MANUFACTURER'S INSTALLATION INSTRUCTIONS.
- FOR HOLLOW BLOCK AND GROUT FILLED BLOCK, DO NOT INSTALL INSTALLATION ANCHORS INTO MORTAR JOINTS. EDGE DISTANCE IS MEASURED FROM FREE EDGE OF BLOCK OR EDGE OF MORTAR JOINT INTO FACE SHELL OF BLOCK.
- FOR 2X STUD CONSTRUCTION, ANCHORING OF THESE PRODUCTS SHALL BE THE SAME AS FOR 2X BUCK CONCRETE/MASONRY CONSTRUCTION.
- INSTALLATION ANCHOR CAPACITIES FOR PRODUCTS HEREIN ARE BASED ON SUBSTRATE MATERIALS WITH THE FOLLOWING PROPERTIES:
 - WOOD - MINIMUM SPECIFIC GRAVITY OF 0.55.
 - CONCRETE -MINIMUM COMPRESSIVE STRENGTH OF 3000 PSI.
 - GROUT-FILLED CMU- UNIT STRENGTH CONFORMS TO ASTM C-90 WITH MINIMUM COMPRESSIVE STRENGTH OF 2000 PSI AND GROUT CONFORMS TO ASTM C 476, MINIMUM GROUT COMPRESSIVE STRENGTH OF 2000 PSI.
 - HOLLOW BLOCK CMU - UNIT STRENGTH CONFORMS TO ASTM C-90 WITH MINIMUM COMPRESSIVE STRENGTH OF 2000 PSI.
- SEE SHEETS 6 AND 7 FOR MORE DETAILS OF THE INSTALLATION REQUIREMENTS, INCLUDING ANCHOR LOCATIONS, EDGE DISTANCES, EMBEDMENTS, AND SHIM SPACING.
- OPTIONALLY, ANCHORS CAN BE PLACED IN NARROW SECTION OF HEAD OR JAMB AS LONG AS MINIMUM EMBEDMENT AND EDGE DISTANCE ARE ACHIEVED.

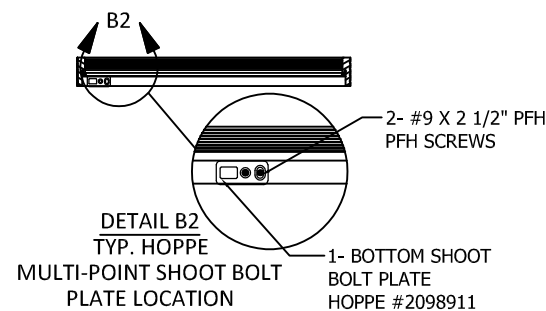


1
2 TYP. ANCHOR LAYOUT
6'-8" & 8'-0" DOOR HEIGHT

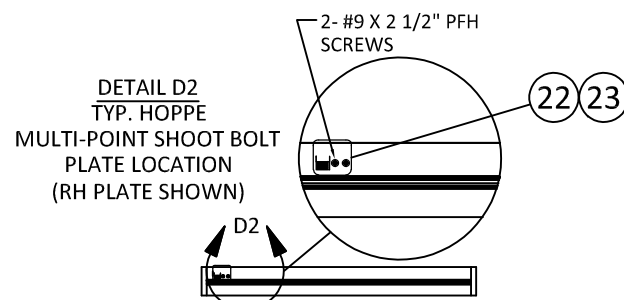
NOTE:
NO ANCHORS REQUIRED AT THE SILL FOR SINGLE DOORS (X) ONLY.

ANCHOR TABLE

ANCHOR TYPE	ANCHOR SIZE	SUBSTRATE	MIN. EMBEDMENT	MIN. EDGE DISTANCE	6'8" DOORS	8'0" DOORS
					MAX. O.C. SPACING AT JAMBS	MAX. O.C. SPACING AT JAMBS
WOOD SCREW	#10	2X WOOD BUCK OR FRAMING	1-1/2"	3/4"	17-1/2"	17-1/4"
ITW TAPCON	3/16"	CONCRETE/CMU	1-1/4"	2-1/2"	17-1/2"	17-1/4"
ELCO ULTRACON	1/4"	CONCRETE/CMU	1-3/8" - CONC. 1-1/4" - CMU	1"	17-1/2"	17-1/4"
ITW TAPCON	3/16"	CONCRETE/CMU	1-1/4"	1"	10"	14-3/8"



A
2 SILL SECTION VIEW
INSWING SHOWN OUTSWING SIMILAR
SEE DETAIL B2



C
2 HEAD SECTION VIEW
INSWING SHOWN OUTSWING SIMILAR
SEE DETAIL D2

PREPARED BY:



BUILDING DROPS, INC.
398 E. DANIA BEACH BLVD., STE. 338
DANIA BEACH, FL 33004
PH: (954)399-8478
FAX: (954)744-4738
WEB: www.buildingdrops.com

TITLE: DESIGN PRO/SMOOTH PRO
IMPACT APPROVED

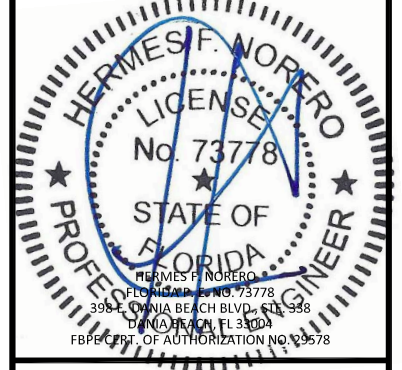
TYPICAL ANCHOR LAYOUTS AND NOTES

3737 LAKEPORT BLVD.,
KLAMATH FALLS, OR 97601
PH: (541)882-3451
FAX: (541)850-2609



REMARKS	BY	DATE
Add ADA sill, Multi-Point Lock	GL	06/23/14
Reference DWG. #A010871A	AM	09/16/19

THE INSTALLATION DETAILS DESCRIBED HEREIN ARE GENERIC AND MAY NOT REFLECT ACTUAL CONDITIONS FOR A SPECIFIC SITE. IF SITE CONDITIONS CAUSE INSTALLATION TO DEVIATE FROM THE REQUIREMENTS DETAILED HEREIN, A LICENSED ENGINEER OR ARCHITECT SHALL PREPARE SITE SPECIFIC DOCUMENTS FOR USE WITH THIS DOCUMENT.



DATE:	02.05.14	
DWG. BY:	GL/TJM	CHK. BY: SS/MSS
SCALE:	NTS	
DWG. #:	D015726	
SHEET:	OF 8	

PREPARED BY:



BUILDING DROPS, INC.
 398 E. DANIA BEACH BLVD., STE. 338
 DANIA BEACH, FL 33004
 PH: (954)399-8478
 FAX: (954)744.4738
 WEB: www.buildingdrops.com

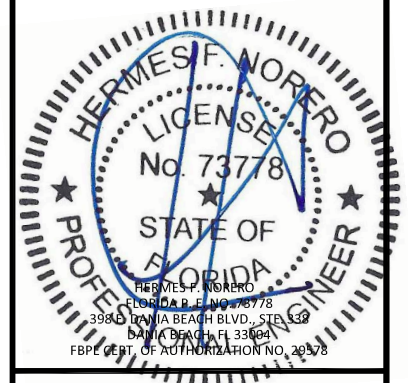
TITLE:
 DESIGN PRO/SMOOTH PRO
 IMPACT APPROVED
 OPTIONAL 2X BUCK
 ANCHORING DETAILS

3737 LAKEPORT BLVD.,
 KLAMATH FALLS, OR 97601
 PH: (541)882-3451
 FAX: (541)850-2609

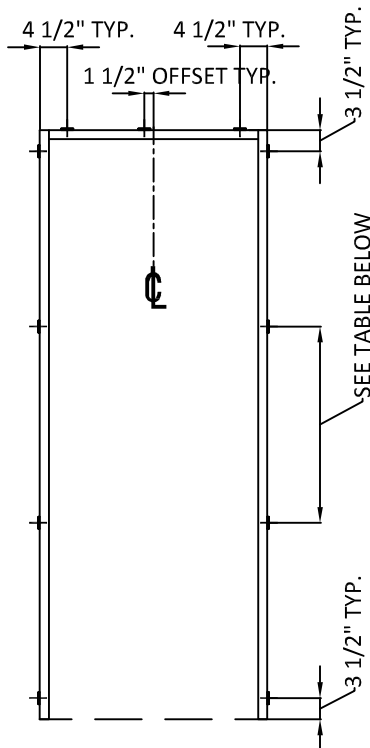


REMARKS	BY	DATE
Add ADA sill, Multi-Point Lock	GL	06/23/14
Reference DWG. #A010871A	AM	09/16/19

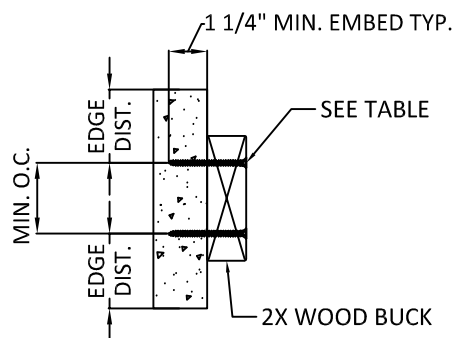
THE INSTALLATION DETAILS DESCRIBED HEREIN ARE GENERIC AND MAY NOT REFLECT ACTUAL CONDITIONS FOR A SPECIFIC SITE. IF SITE CONDITIONS CAUSE INSTALLATION TO DEVIATE FROM THE REQUIREMENTS DETAILED HEREIN, A LICENSED ENGINEER OR ARCHITECT SHALL PREPARE SITE SPECIFIC DOCUMENTS FOR USE WITH THIS DOCUMENT.



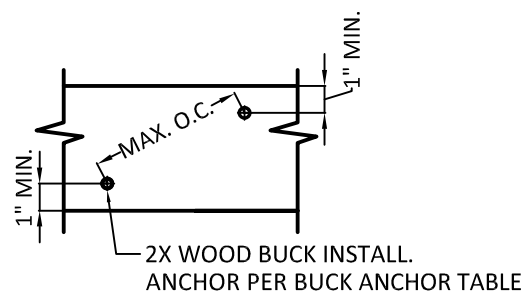
DATE:	02.05.14
DWG. BY:	GL/TJM
CHK. BY:	SS/MSS
SCALE:	NTS
DWG. #:	D015726
SHEET:	OF 8



1 TYP. ANCHOR LAYOUT
3 OPTIONAL 2X BUCK IN CONCRETE/MASONRY



3 2X WOOD BUCK INSTALL.
 CROSS SECTION



4 2X WOOD BUCK INSTALL.
 SIDE VIEW

2X BUCK ANCHOR TABLE							
ANCHOR TYPE	ANCHOR SIZE	SUBSTRATE	MIN. EMBEDMENT	MIN. EDGE DIST. TO SUBSTRATE	MIN. CENTER TO CENTER DISTANCE	6'8" DOORS	8'0" DOORS
						MAX. O.C. SPACING AT JAMBS	MAX. O.C. SPACING AT JAMBS
ITW TAPCON	1/4"	CONCRETE/CMU	1-1/4"	2-1/2"	4"	25"	30-1/4"
ELCO ULTRACON	1/4"	CONCRETE/CMU	1-3/8" - CONC. 1-1/4" - CMU	1"	4"	25"	30-1/4"

NOTES:

- 2X BUCK IS NOT FOR INSTALLATION AT SILL.
- ANCHORS MAY BE STAGGERED AS SHOWN IN DETAIL 4/3.

PREPARED BY:



BUILDING DROPS, INC.
398 E. DANIA BEACH BLVD., STE. 338
DANIA BEACH, FL 33004
PH: (954)399-8478
FAX: (954)744.4738
WEB: www.buildingdrops.com

DESIGN PRO/SMOOTH PRO
IMPACT APPROVED

VERTICAL ASSEMBLIES

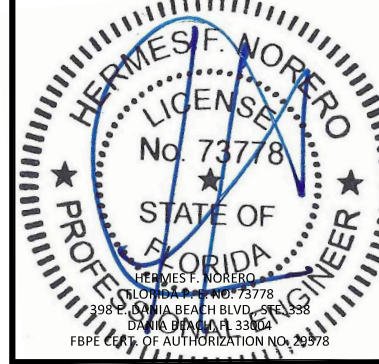
3737 LAKEPORT BLVD.,
KLAMATH FALLS, OR 97601
PH: (541)882-3451
FAX: (541)850-2609

JELD-WEN
WINDOWS & DOORS

TITLE:

REMARKS	BY	DATE
Add ADA sill, Multi-Point Lock	GL	06/23/14
Reference DWG. #A010871A	AM	09/16/19

THE INSTALLATION DETAILS DESCRIBED HEREIN ARE GENERIC AND MAY NOT REFLECT ACTUAL CONDITIONS FOR A SPECIFIC SITE. IF SITE CONDITIONS CAUSE INSTALLATION TO DEVIATE FROM THE REQUIREMENTS DETAILED HEREIN, A LICENSED ENGINEER OR ARCHITECT SHALL PREPARE SITE SPECIFIC DOCUMENTS FOR USE WITH THIS DOCUMENT.



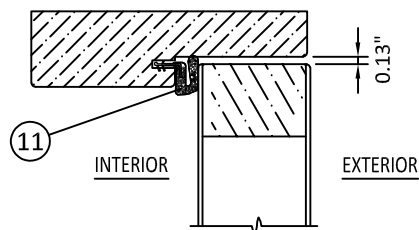
DATE: 02.05.14

DWG. BY: GL/TJM CHK. BY: SS/MSS

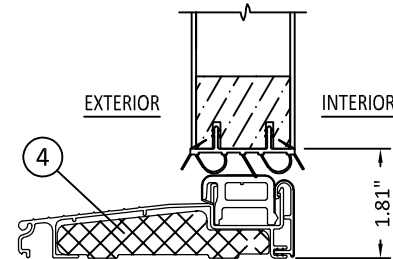
SCALE: NTS

DWG. #: D015726

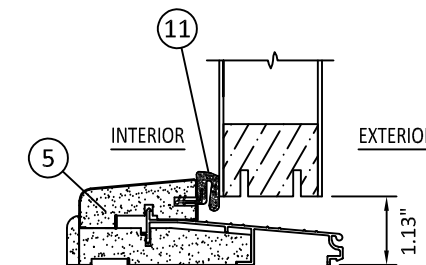
SHEET: 4 OF 8



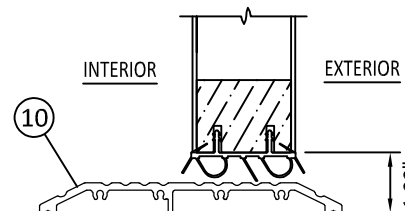
1
4 OPERABLE HEAD
OUTSWING SHOWN - INSWING SIMILAR



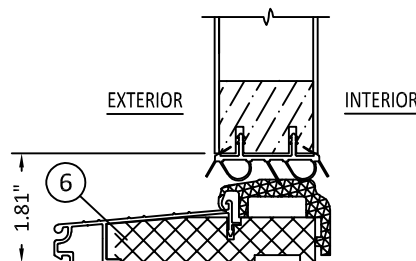
3
4 OPERABLE SILL
INSWING



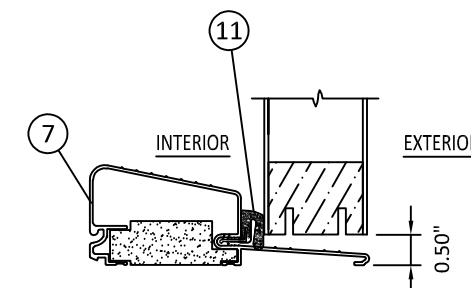
4
4 OPERABLE SILL
OUTSWING



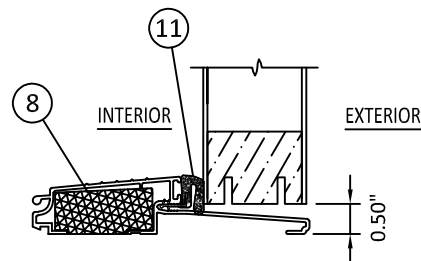
5
4 OPERABLE ADA SILL
INSWING/OUTSWING
ENDURA HCI5000



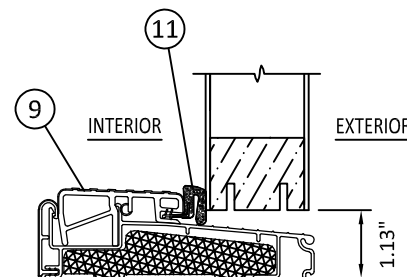
6
4 OPERABLE SILL
INSWING



7
4 OPERABLE SILL
OUTSWING
OPTIONAL AFCO H-497



8
4 OPERABLE SILL
OUTSWING



9
4 OPERABLE SILL
OUTSWING

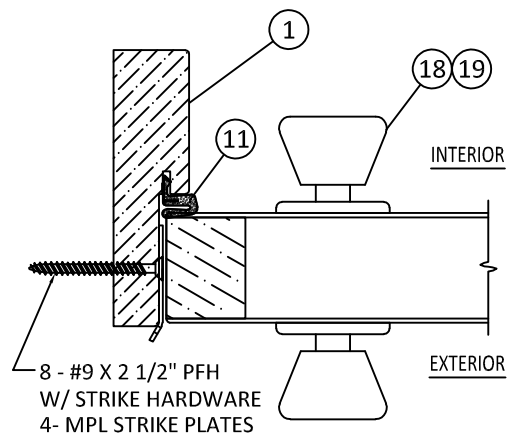
PREPARED BY:



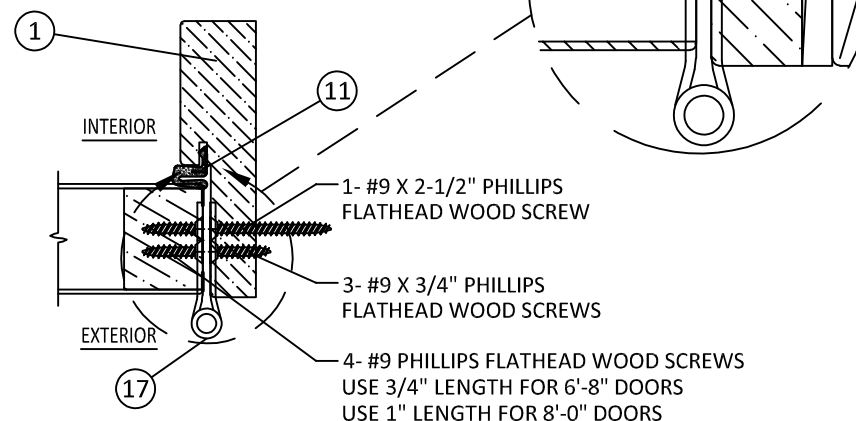
BUILDING DROPS, INC.
 398 E. DANIA BEACH BLVD., STE. 338
 DANIA BEACH, FL 33004
 PH: (954)399-8478
 FAX: (954)744-4738
 WEB: www.buildingdrops.com

HINGE SCHEDULE	
DOOR HEIGHT	QUANTITY
6'-8"	3
8'-0"	4

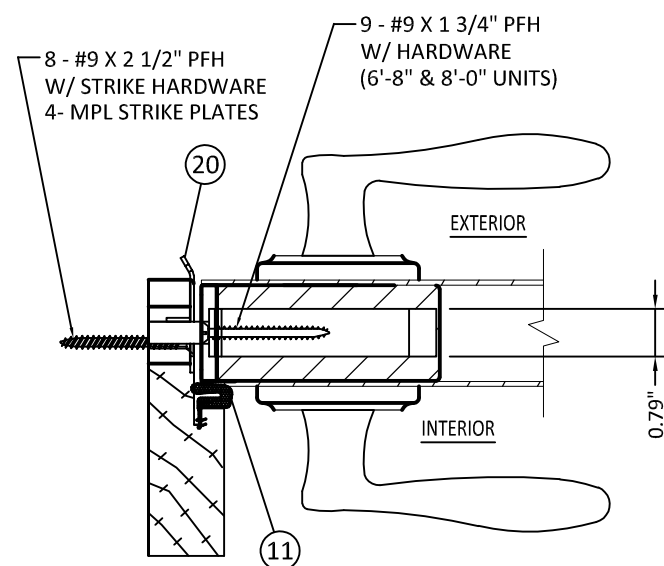
HINGE DETAIL AT JAMB:
 PLACE #9 X 2-1/2" PFH SCREW NEXT TO WEATHERSTRIP



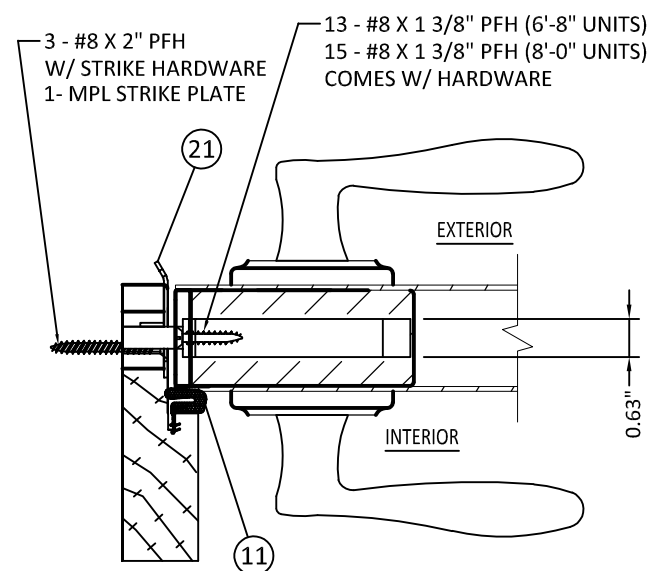
1
5 **LOCK JAMB**
 OUTSWING SHOWN - INSWING SIMILAR



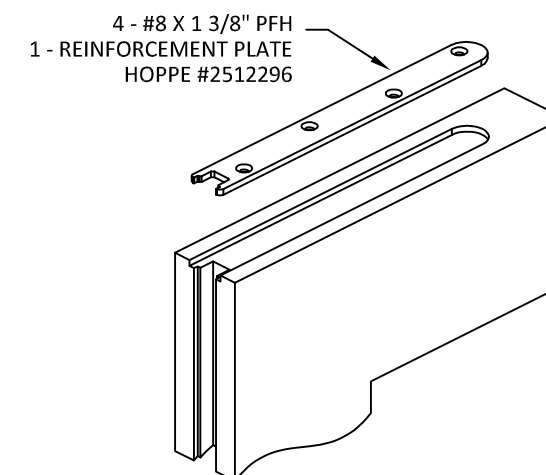
3
5 **HINGE JAMB**
 OUTSWING SHOWN - INSWING SIMILAR



4
5 **MULTI-POINT LOCK JAMB**
 OUTSWING SHOWN - INSWING SIMILAR



5
5 **MULTI-POINT LOCK JAMB**
 OUTSWING SHOWN - INSWING SIMILAR



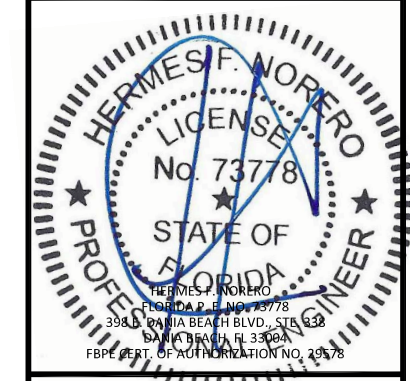
6
5 **MULTI-POINT LOCK**
 TOP REINFORCEMENT PLATE - ACTIVE PANEL ONLY

TITLE:
 DESIGN PRO/SMOOTH PRO
 IMPACT APPROVED
 HORIZONTAL ASSEMBLIES

3737 LAKEPORT BLVD.,
 KLAMATH FALLS, OR 97601
 PH: (541)882-3451
 FAX: (541)850-2609
JELD-WEN
 WINDOWS & DOORS

REMARKS	BY	DATE
Add ADA sill, Multi-Point Lock	GL	06/23/14
Reference DWG. #A010871A	AM	09/16/19

THE INSTALLATION DETAILS DESCRIBED HEREIN ARE GENERIC AND MAY NOT REFLECT ACTUAL CONDITIONS FOR A SPECIFIC SITE. IF SITE CONDITIONS CAUSE INSTALLATION TO DEVIATE FROM THE REQUIREMENTS DETAILED HEREIN, A LICENSED ENGINEER OR ARCHITECT SHALL PREPARE SITE SPECIFIC DOCUMENTS FOR USE WITH THIS DOCUMENT.



DATE:	02.05.14
DWG. BY:	GL/TJM
CHK. BY:	SS/MSS
SCALE:	NTS
DWG. #:	D015726
SHEET:	OF 8

PREPARED BY:



BUILDING DROPS, INC.
 398 E. DANIA BEACH BLVD., STE. 338
 DANIA BEACH, FL 33004
 PH: (954)399-8478
 FAX: (954)744.4738
 WEB: www.buildingdrops.com

DESIGN PRO/SMOOTH PRO
 IMPACT APPROVED

WOOD SUBSTRATES

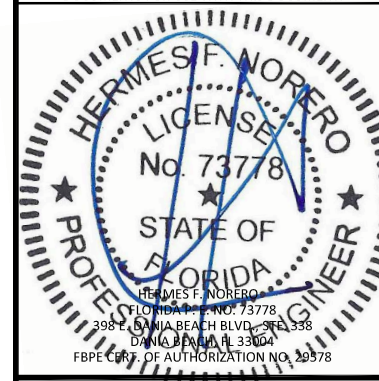
3737 LAKEPORT BLVD.,
 KLAMATH FALLS, OR 97601
 PH: (541)882-3451
 FAX: (541)850-2609

JELD-WEN
 WINDOWS & DOORS

TITLE:

REMARKS	BY	DATE
Add ADA sill, Multi-Point Lock	GL	06/23/14
Reference DWG. #A010871A	AM	09/16/19

THE INSTALLATION DETAILS DESCRIBED HEREIN ARE GENERIC AND MAY NOT REFLECT ACTUAL CONDITIONS FOR A SPECIFIC SITE. IF SITE CONDITIONS CAUSE INSTALLATION TO DEVIATE FROM THE REQUIREMENTS DETAILED HEREIN, A LICENSED ENGINEER OR ARCHITECT SHALL PREPARE SITE SPECIFIC DOCUMENTS FOR USE WITH THIS DOCUMENT.



DATE: 02.05.14

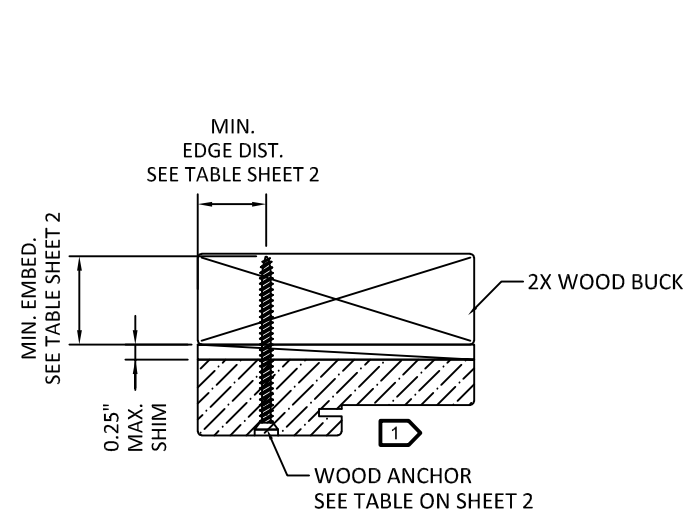
DWG. BY: GL/TJM | CHK. BY: SS/MSS

SCALE: NTS

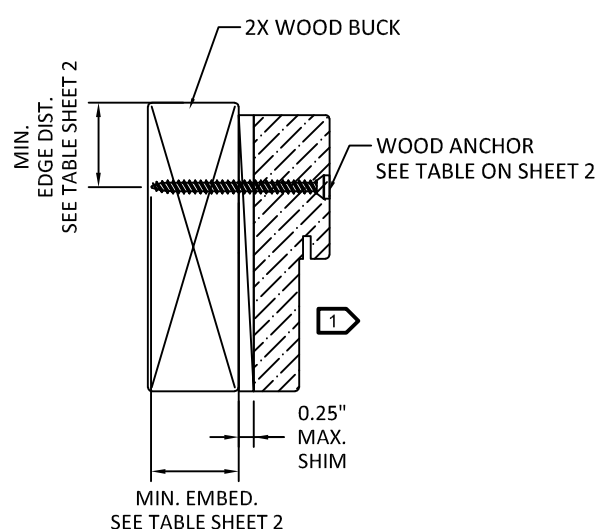
DWG. #: D015726

SHEET: OF 8

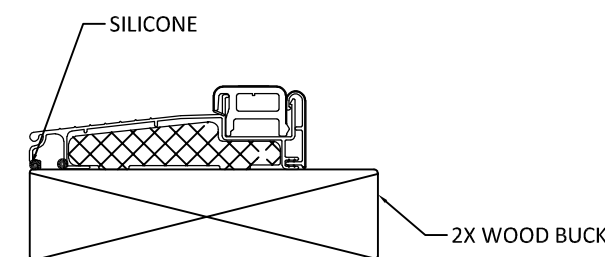
6



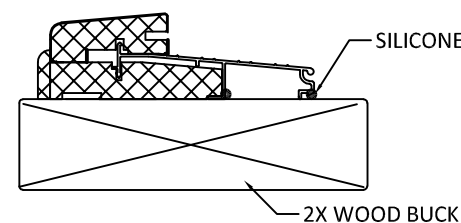
1
6 **HEAD (TYPICAL)**
OUTSWING SHOWN - INSWING SIMILAR



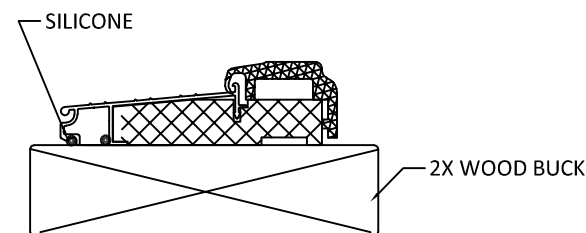
2
6 **JAMB (TYPICAL)**
OUTSWING SHOWN - INSWING SIMILAR



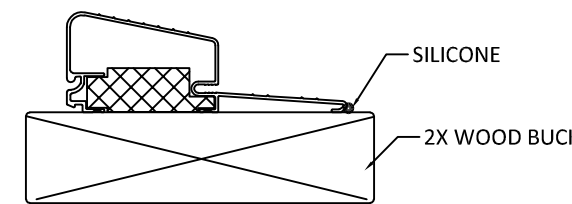
3
6 **OPERABLE SILL**
INSWING - NO ANCHOR REQUIRED



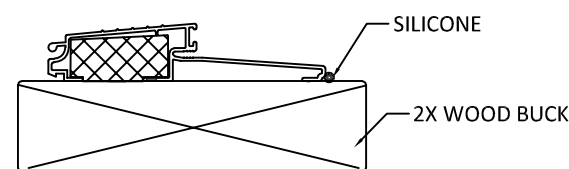
4
6 **OPERABLE SILL**
OUTSWING - NO ANCHOR REQUIRED



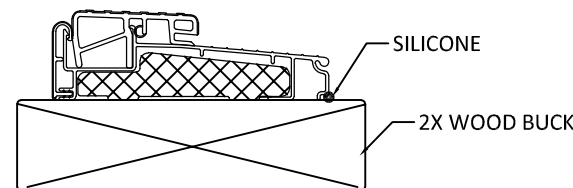
6
6 **OPERABLE SILL**
INSWING - NO ANCHOR REQUIRED



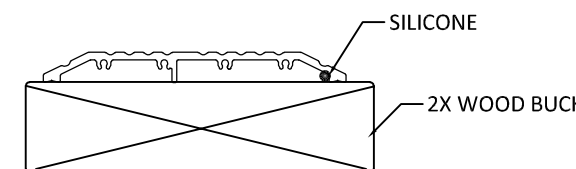
7
6 **OPERABLE SILL**
OUTSWING - NO ANCHOR REQUIRED
AFCO H-497



8
6 **OPERABLE SILL**
OUTSWING - NO ANCHOR REQUIRED

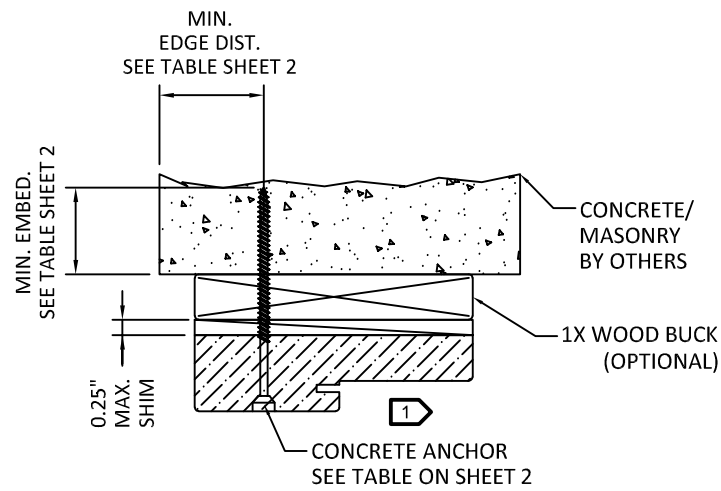


9
6 **OPERABLE SILL**
OUTSWING - NO ANCHOR REQUIRED

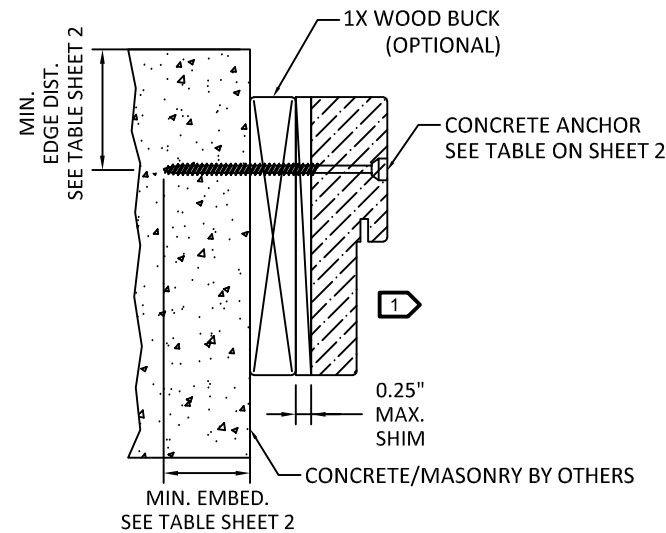


10
6 **OPERABLE ADA SILL**
INSWING/OUTSWING - NO ANCHOR REQUIRED

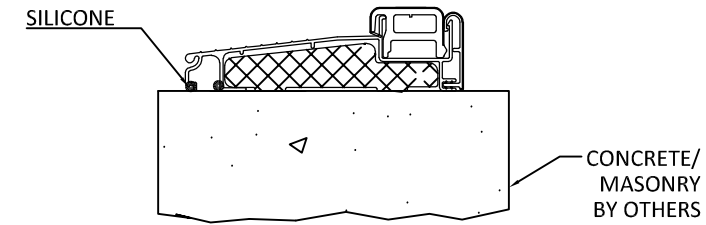
1 OPTIONALLY, ANCHOR CAN BE PLACED IN NARROW SECTION OF HEAD OR JAMB AS LONG AS MINIMUM EMBEDMENT AND EDGE DISTANCE ARE ACHIEVED.



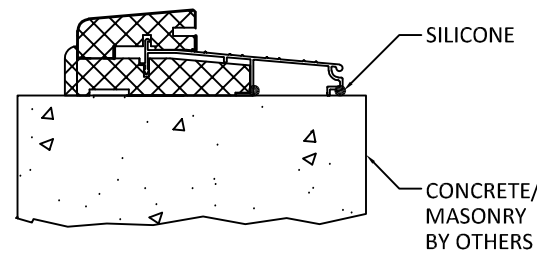
1
7 **HEAD (TYPICAL)**
OUTSWING SHOWN - INSWING SIMILAR



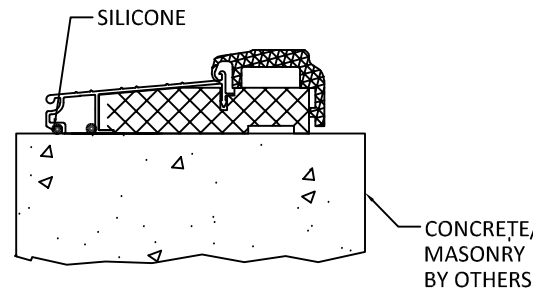
2
7 **JAMB (TYPICAL)**
OUTSWING SHOWN - INSWING SIMILAR



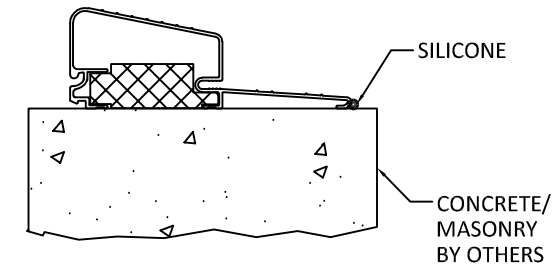
3
7 **OPERABLE SILL**
INSWING - NO ANCHOR REQUIRED



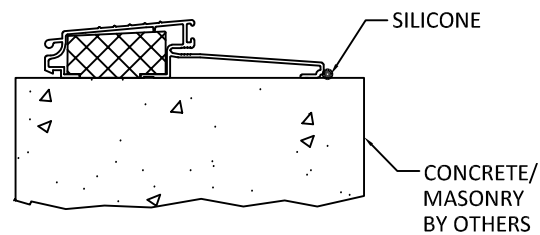
4
7 **OPERABLE SILL**
OUTSWING - NO ANCHOR REQUIRED



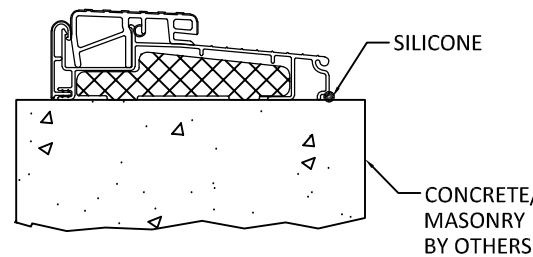
6
7 **OPERABLE SILL**
INSWING - NO ANCHOR REQUIRED



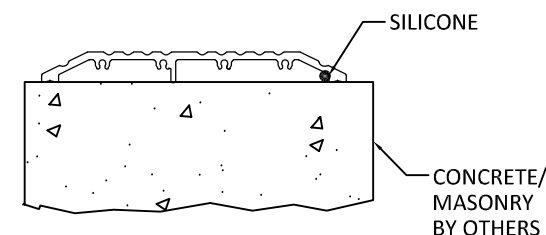
7
7 **OPERABLE SILL**
OUTSWING - NO ANCHOR REQUIRED
AFCO H-497



8
7 **OPERABLE SILL**
OUTSWING - NO ANCHOR REQUIRED



9
7 **OPERABLE SILL**
OUTSWING - NO ANCHOR REQUIRED



10
7 **OPERABLE SILL**
OUTSWING/INSWING - NO ANCHOR REQUIRED

1 OPTIONALLY, ANCHOR CAN BE PLACED IN NARROW SECTION OF HEAD OR JAMB AS LONG AS MINIMUM EMBEDMENT AND EDGE DISTANCE ARE ACHIEVED.

PREPARED BY:



BUILDING DROPS, INC.
398 E. DANIA BEACH BLVD., STE. 338
DANIA BEACH, FL 33004
PH: (954)399-8478
FAX: (954)744.4738
WEB: www.buildingdrops.com

DESIGN PRO/SMOOTH PRO
IMPACT APPROVED

CONCRETE SUBSTRATES

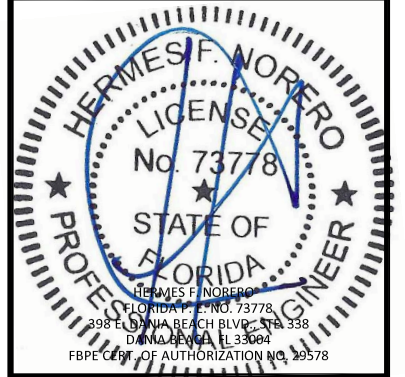
3737 LAKEPORT BLVD.,
KLAMATH FALLS, OR 97601
PH: (541)882-3451
FAX: (541)850-2609

JELD-WEN
WINDOWS & DOORS

TITLE:

REMARKS	BY	DATE
Add ADA sill, Multi-Point Lock	GL	06/23/14
Reference DWG. #A010871A	AM	09/16/19

THE INSTALLATION DETAILS DESCRIBED HEREIN ARE GENERIC AND MAY NOT REFLECT ACTUAL CONDITIONS FOR A SPECIFIC SITE. IF SITE CONDITIONS CAUSE INSTALLATION TO DEVIATE FROM THE REQUIREMENTS DETAILED HEREIN, A LICENSED ENGINEER OR ARCHITECT SHALL PREPARE SITE SPECIFIC DOCUMENTS FOR USE WITH THIS DOCUMENT.



DATE: 02.05.14

DWG. BY: GL/TJM CHK. BY: SS/MSS

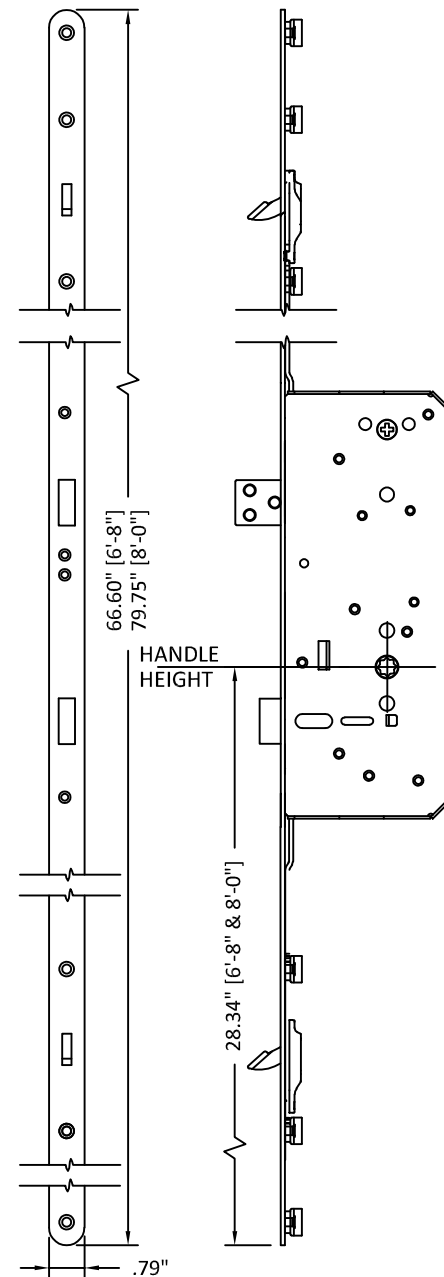
SCALE: NTS

DWG. #: D015726

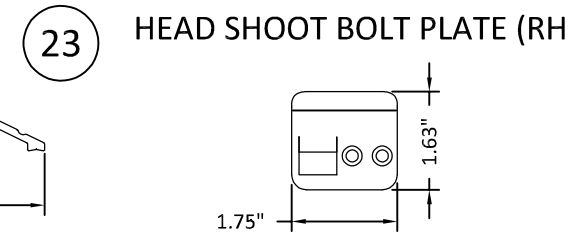
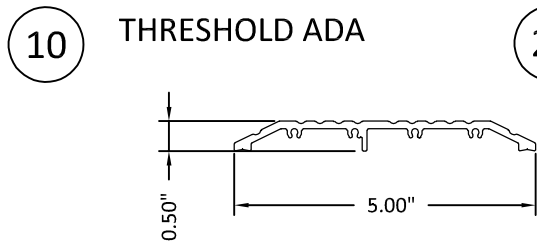
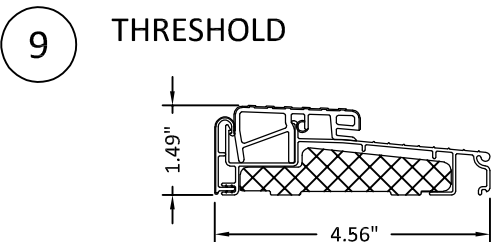
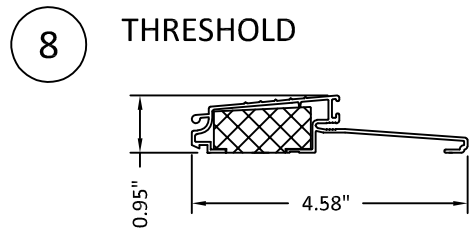
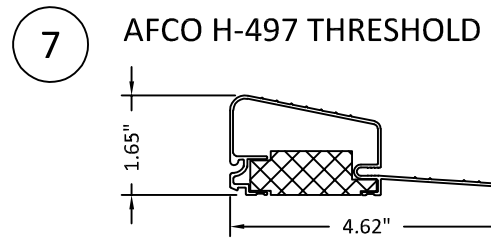
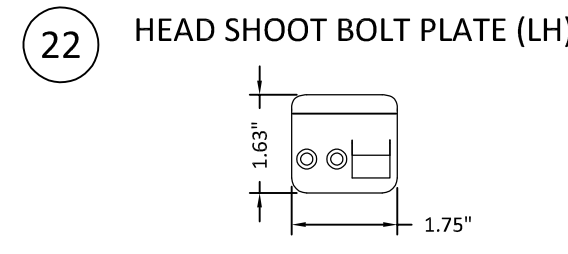
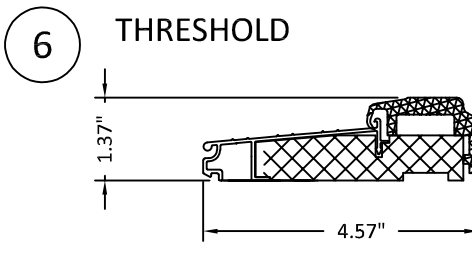
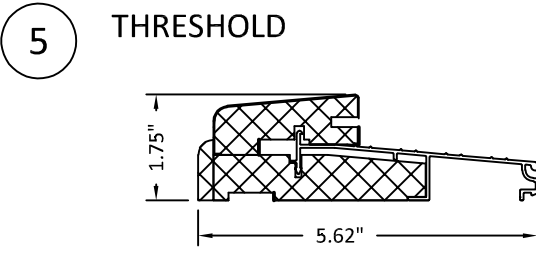
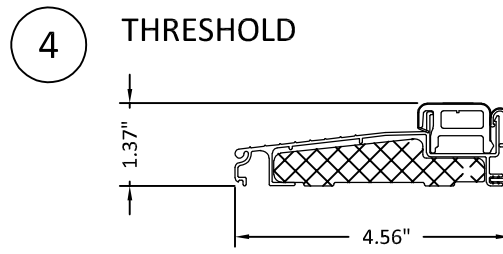
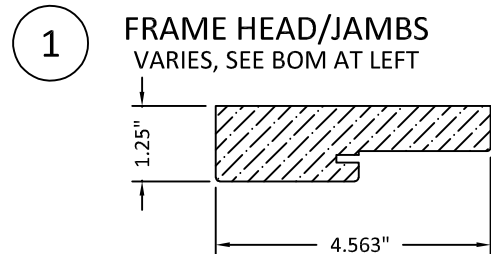
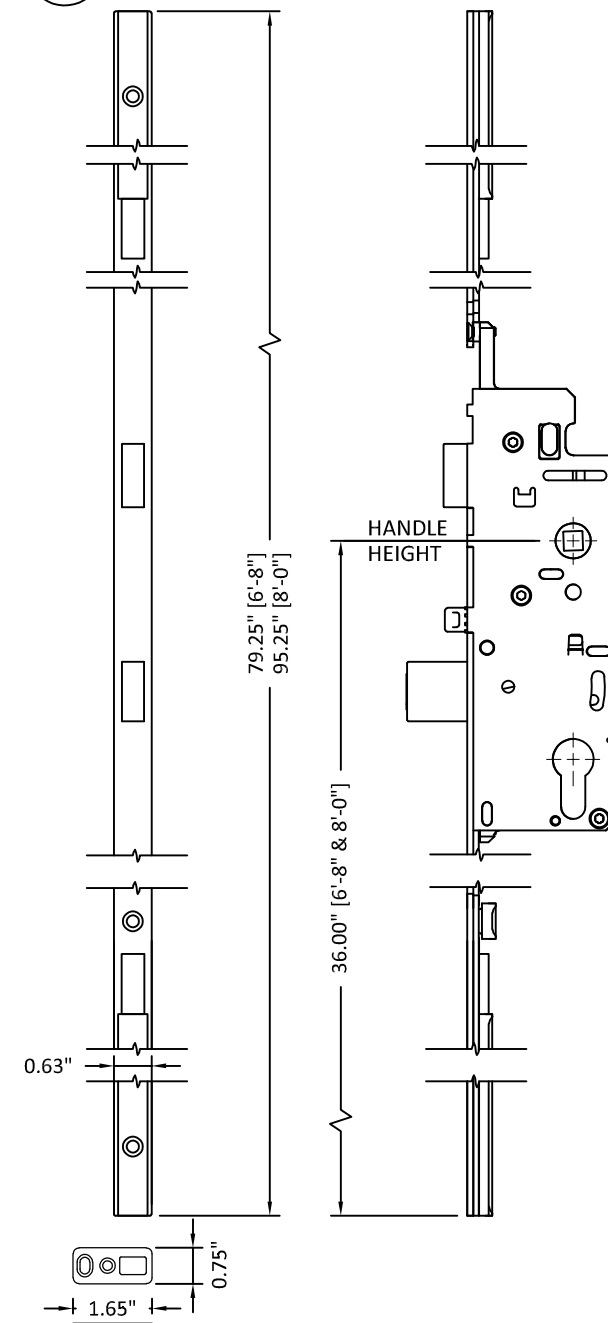
SHEET: OF 8

BILL OF MATERIALS		
ITEM#	DESCRIPTION	MATERIAL
1	FRAME HEAD/JAMBS	FINGER-JOINTED PINE
		SOLID PINE
		LAMINATED VENEER LUMBER
		COMPOSITE
2	(NOT USED)	
3	(NOT USED)	
4	THRESHOLD	-
5	THRESHOLD	-
6	THRESHOLD	-
7	AFCO H-497 THRESHOLD	-
8	THRESHOLD	-
9	THRESHOLD	-
10	ADA THRESHOLD	-
11	WEATHERSTRIP	URETHANE FOAM & POLYETHYLENE
12	NON-COMPRESSION SHIM (0.25" MAX. THK.)	COMPOSITE
13	(NOT USED)	-
14	(NOT USED)	-
15	#10 WOOD INSTALLATION SCREW W/ 1 1/2" MIN. EMBEDMENT	STEEL
16	CONC./CMU ANCHOR (SEE ANCHOR TABLE SHEETS 2 & 3)	STEEL
17	BUTT HINGE (SEE SCHEDULE SHEET 5)	STEEL
18	LOCK SERIES 400	STEEL
19	DEADBOLT SERIES 780	STEEL
20	ROCKWELL MULTI-POINT TONGUE LATCH # 73228768 6-8 UNIT ROCKWELL MULTI-POINT TONGUE LATCH #73228780 8-0 UNIT	STEEL
21	HOPPE MULTI-POINT HARDWARE HLS9000	STEEL
22	HOPPE MULTI-POINT HEAD SHOOT BOLT PLATE LH #8784091	STEEL
23	HOPPE MULTI-POINT HEAD SHOOT BOLT PLATE RH #8783923	STEEL

20 ROCKWELL MULTI-POINT LOCK



21 HOPPE MULTI-POINT LOCK W/ SILL SHOOT BOLT PLATE #2098911



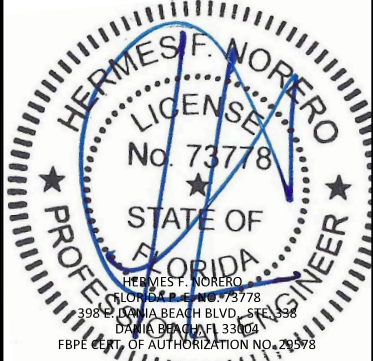
PREPARED BY:

BUILDING DROPS, INC.
 398 E. DANIA BEACH BLVD., STE. 338
 DANIA BEACH, FL 33004
 PH: (954)399-8478
 FAX: (954)744.4738
 WEB: www.buildingdrops.com

TITLE: DESIGN PRO/SMOOTH PRO IMPACT APPROVED
 COMPONENTS AND BILL OF MATERIALS
 3737 LAKEPORT BLVD.,
 KLAMATH FALLS, OR 97601
 PH: (541)882-3451
 FAX: (541)850-2609


REMARKS	BY	DATE
Add ADA sill, Multi-Point Lock	GL	06/23/14
Reference DWG. #A010871A	AM	09/16/19

THE INSTALLATION DETAILS DESCRIBED HEREIN ARE GENERIC AND MAY NOT REFLECT ACTUAL CONDITIONS FOR A SPECIFIC SITE. IF SITE CONDITIONS CAUSE INSTALLATION TO DEVIATE FROM THE REQUIREMENTS DETAILED HEREIN, A LICENSED ENGINEER OR ARCHITECT SHALL PREPARE SITE SPECIFIC DOCUMENTS FOR USE WITH THIS DOCUMENT.



DATE: 02.05.14
 DWG. BY: GL/TJM | CHK. BY: SS/MSS
 SCALE: NTS
 DWG. #: D015726
 SHEET: OF 8